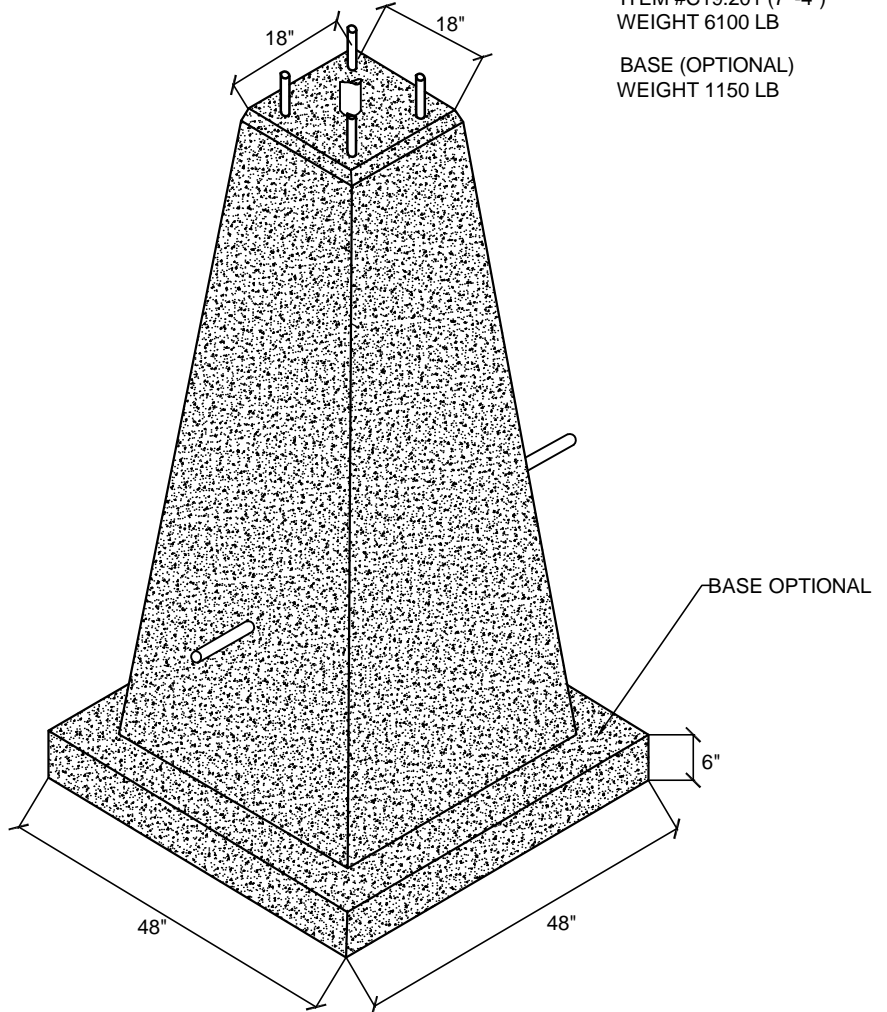
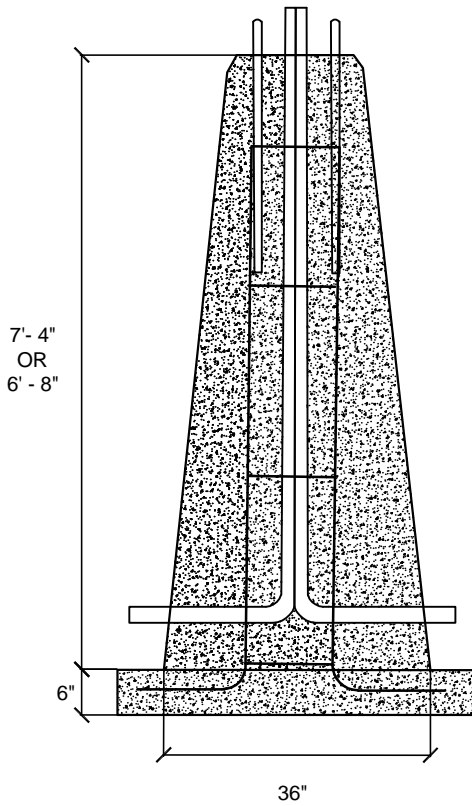


LIGHT POLE FOOTINGS



ITEM #C19.201 (6'-8")
WEIGHT 5500 LB

ITEM #C19.201 (7'-4")
WEIGHT 6100 LB

BASE (OPTIONAL)
WEIGHT 1150 LB

SPECIFICATIONS:
5000 psi AT 28 DAYS
AIR ENTRAINING 5-7%
10mm REBAR REINFORCING
CONDUIT SIZE AND LOCATION AS
PER CUSTOMER SPECIFICATIONS

NOTES: QUICK INSTALLATION RESULTS IN MINIMAL DISRUPTION OF TRAFFIC
DEPTH OF CONCRETE FOOTINGS BELOW GRADE MINIMIZES FROST MOVEMENT
CAN BE PRODUCED WITH GALVANIZED CORNER PROTECTOR