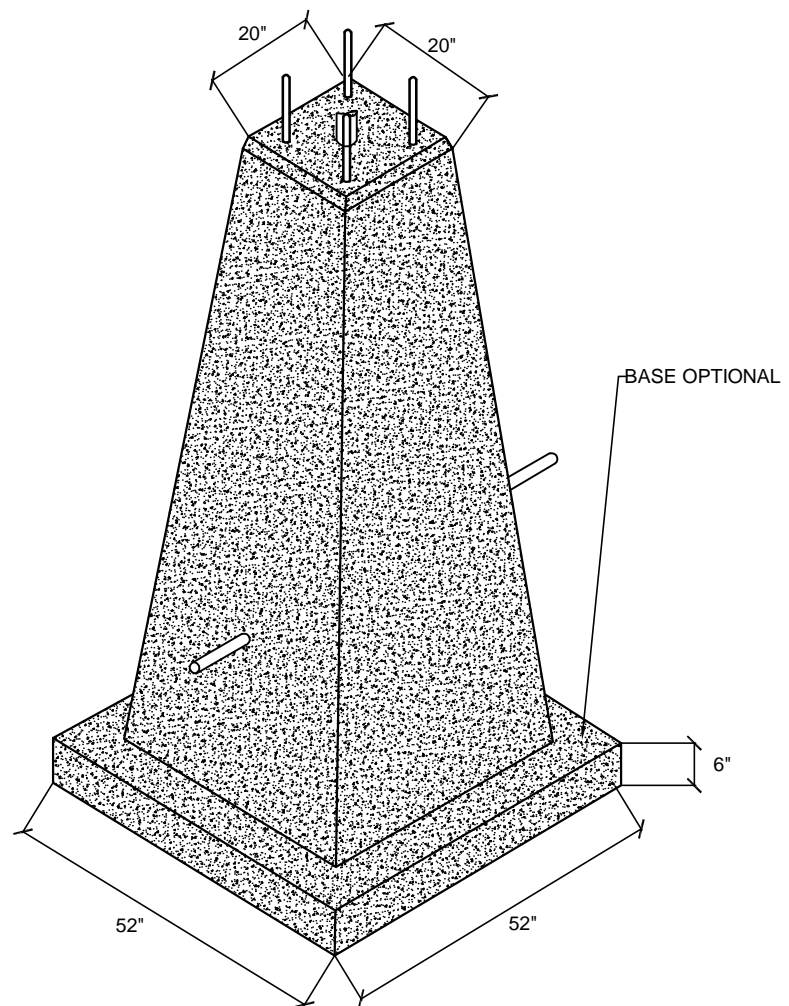
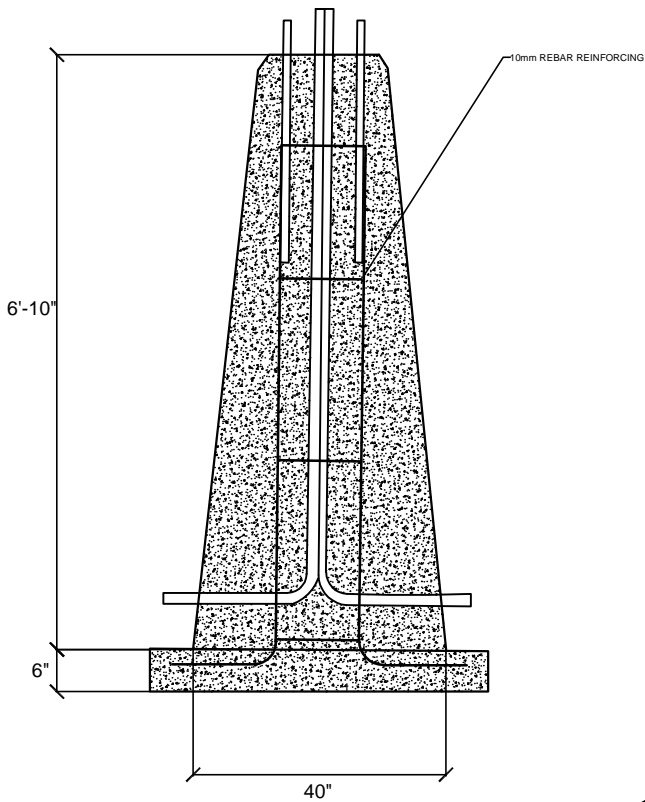


CAMPBELL'S CONCRETE LTD.
420 MT. EDWARD ROAD, P.O. BOX 373 • CHARLOTTETOWN, P.E.I. C1A 7K7

C19.5

LIGHT POLE FOOTINGS

ITEM #C19.501
WEIGHT 6800 LB
BASE (OPTIONAL)
WEIGHT 1400LB



SPECIFICATIONS:
5000 psi AT 28 DAYS
AIR ENTRAINING 5-7%
10mm REBAR REINFORCING
CONDUIT SIZE AND LOCATION AS
PER CUSTOMER SPECIFICATIONS

NOTES: QUICK INSTALLATION RESULTS IN MINIMAL DISRUPTION OF TRAFFIC
DEPTH OF CONCRETE FOOTINGS BELOW GRADE MINIMIZES FROST MOVEMENT
CAN BE PRODUCED WITH GALVANIZED CORNER PROTECTOR