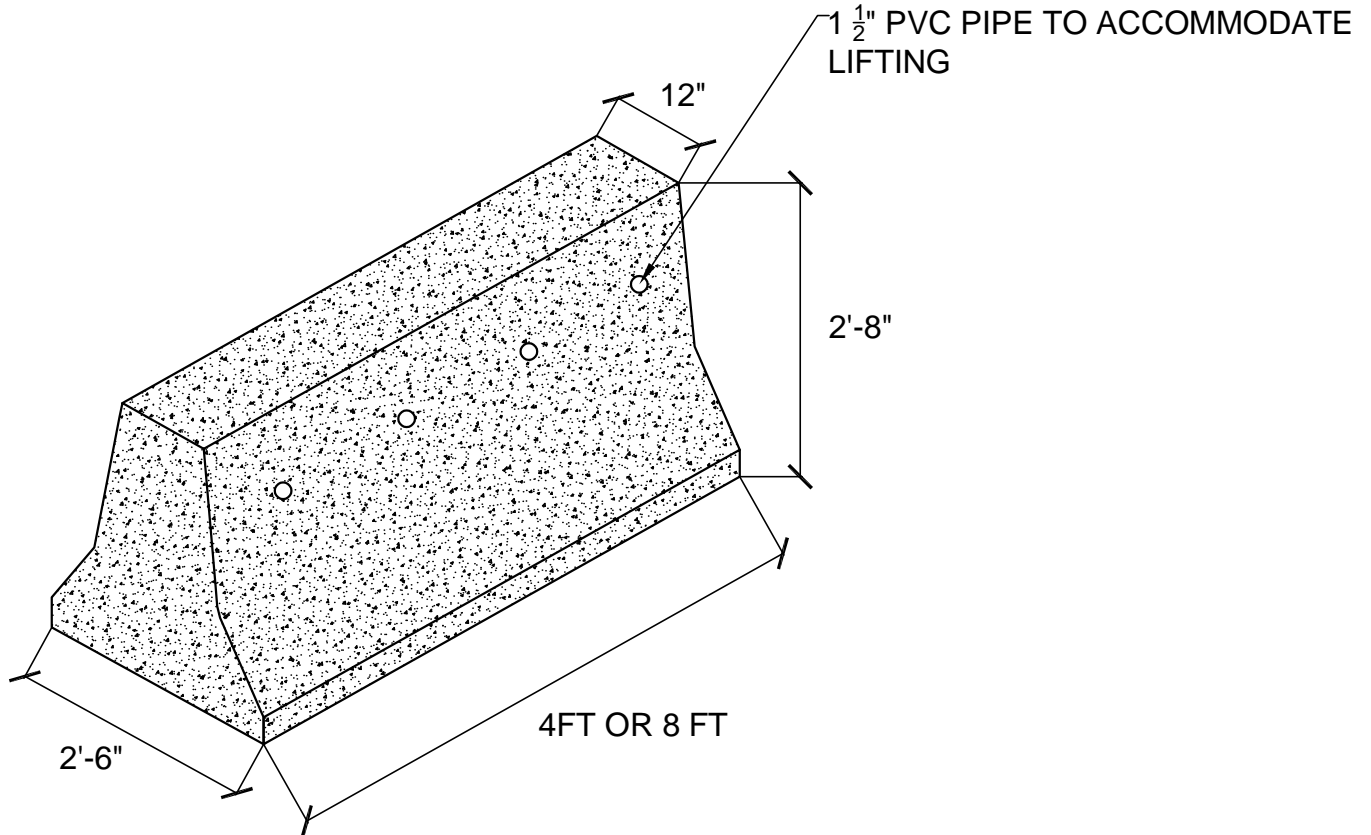


MEDIAN BARRIER



ITEM #	LENGTH	WEIGHT (LB)
C14-001	4'-0"	2000
C14-003	8'-0"	4000

SPECIFICATIONS:

5000 psi AT 28 DAYS

REINFORCING AS PER CUSTOMER SPECIFICATIONS

THE BARRIER CONNECTING MECHANISMS AS PER CUSTOMER SPECIFICATIONS

AIR ENTRAINING 5-7%

NOTES: EXCELLENT FOR BARRICADE

AN EXCELLENT SOLUTION TO WHERE TEMPORARY TRAFFIC CONTROL IS REQUIRED

THE BARRIER CAN BE MANUFACTURED WITH RECESS TO ALLOW FOR DRAINAGE AND FORKLIFT HANDLING