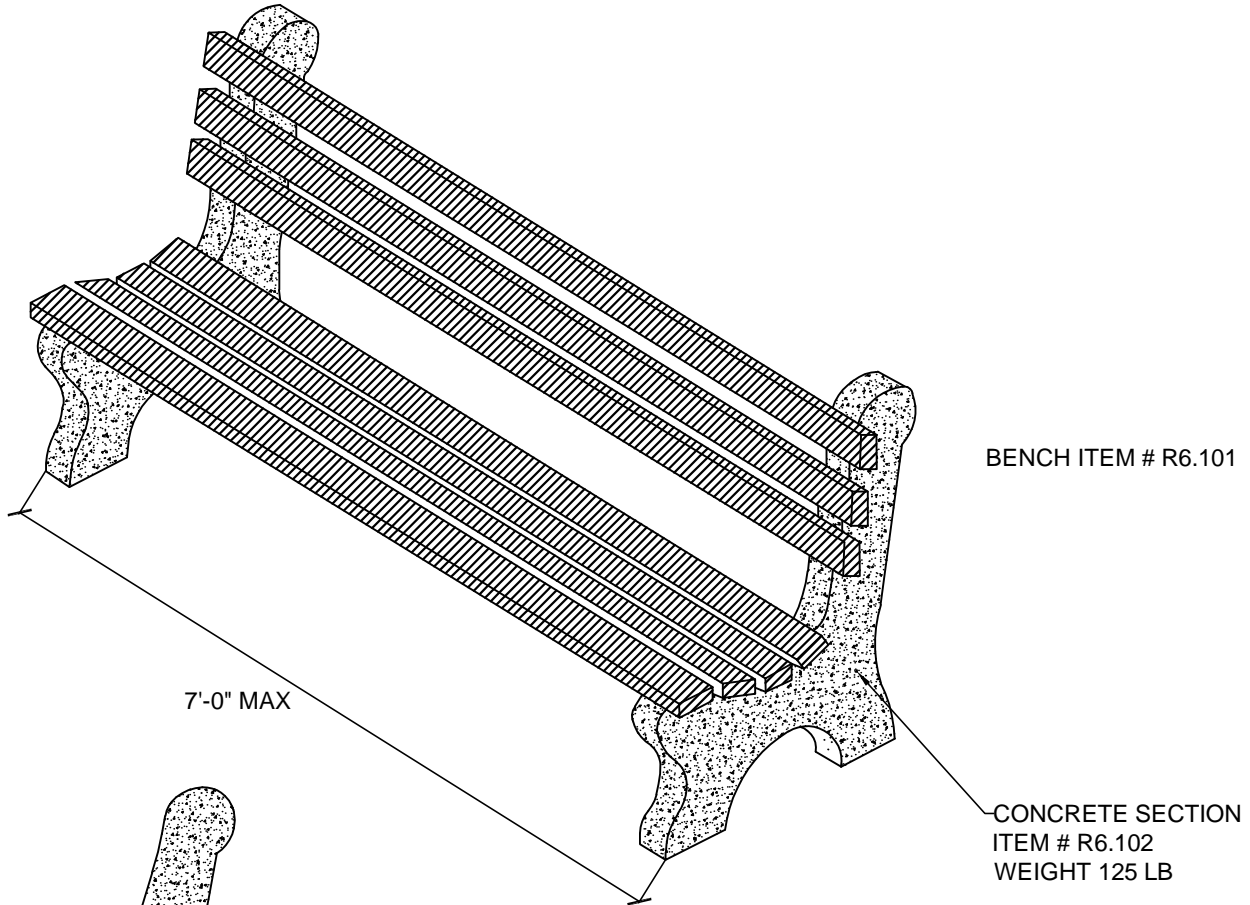


CAMPBELL'S CONCRETE LTD.
420 MT. EDWARD ROAD, P.O. BOX 373 • CHARLOTTETOWN, P.E.I. C1A 7K7

C10.0

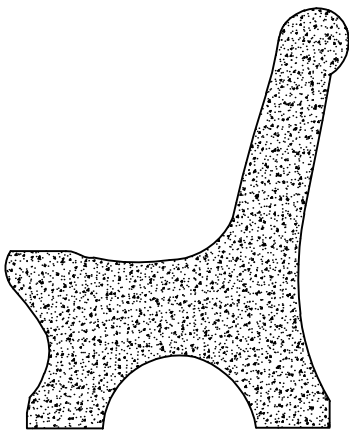
BENCH



BENCH ITEM # R6.101

CONCRETE SECTION
ITEM # R6.102
WEIGHT 125 LB

7'-0" MAX



SPECIFICATIONS:
5000 psi AT 28 DAYS
AIR ENTRAINING 5-7%

NOTES: BENCH SOLD ASSEMBLED OR CONCRETE SECTIONS SOLD SEPARATELY (REQUIRES 7 PCS OF 2 x 4) PRESSURE TREATED WOOD, CONCRETE SECTIONS AND STAINLESS STEEL BOLTS C/W STAR INSERT ALL COMBINE, TO PROVIDE AN ATTRACTIVE, MAINTENANCE FREE PRODUCT THAT WILL NOT RUST, CORRODE OR DETERIORATE THE SIMPLE DESIGN AND NATURE OF THE MATERIAL MAKE THIS PRODUCT A BEAUTIFUL ADDITION TO ANY SURROUNDING.