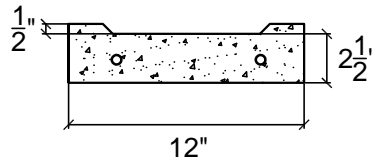
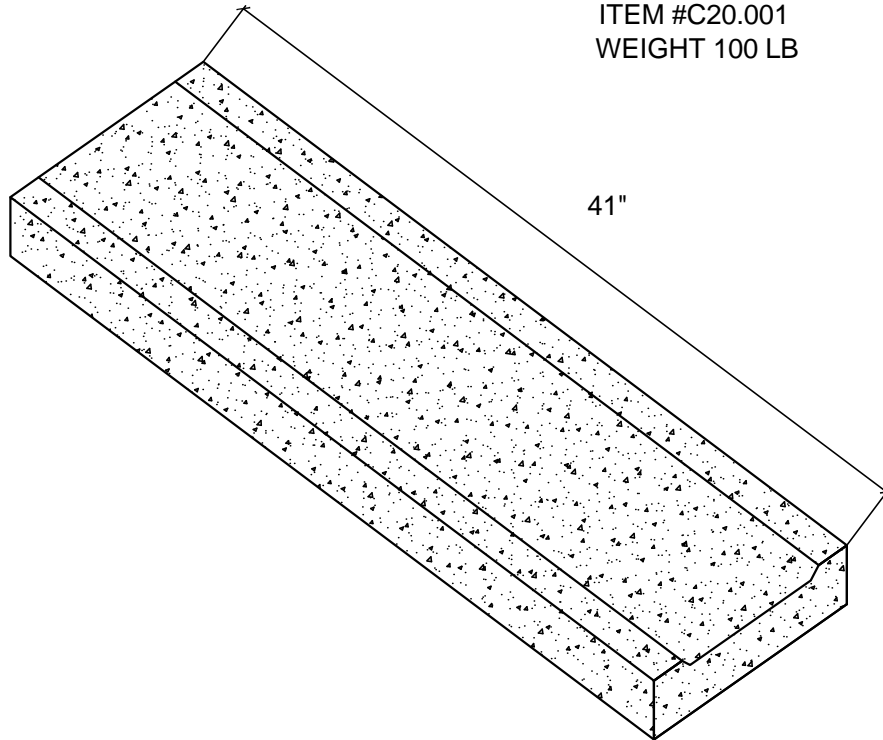


CAMPBELL'S CONCRETE LTD.
420 MT. EDWARD ROAD, P.O. BOX 373 • CHARLOTTETOWN, P.E.I. C1A 7K7

C20.0

PROPANE TANK BASES

ITEM #C20.001
WEIGHT 100 LB



SPECIFICATIONS:
5000 psi AT 28 DAYS
REINFORCING AS SHOWN BELOW
AIR ENTRAINING 5-7%

NOTES: 2 PROPANE TANK BASES ARE REQUIRED FOR
A STANDARD RESIDENTIAL PROPANE TANK