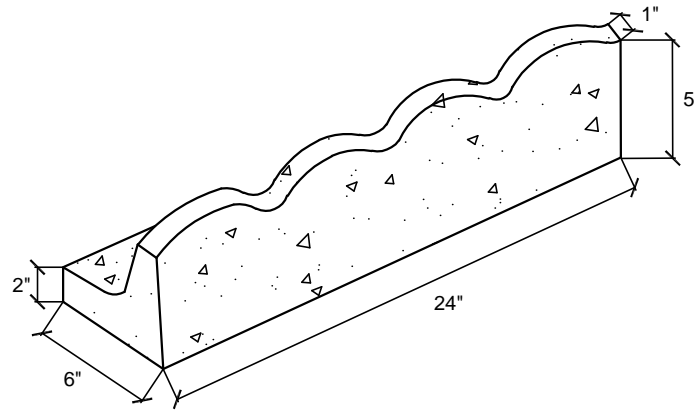
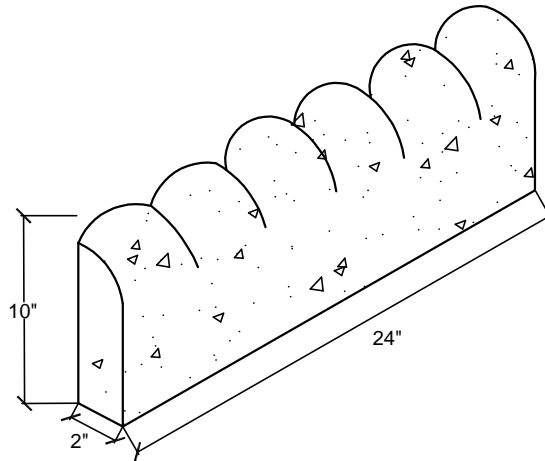


## SCALLOPED CURBING

ITEM # R3.101  
WEIGHT 40LBS



ITEM # R3.102  
WEIGHT 35LBS



**SPECIFICATIONS:**  
5000 psi AT 28 DAYS  
AIR ENTRAINING 5-7%

**NOTES:** THESE DECORATIVE CURBS ARE EXCELLENT  
FOR LINING FLOWER BEDS, DRIVEWAYS, ETC.