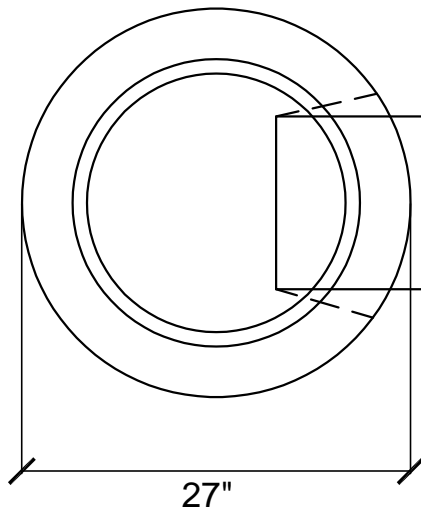
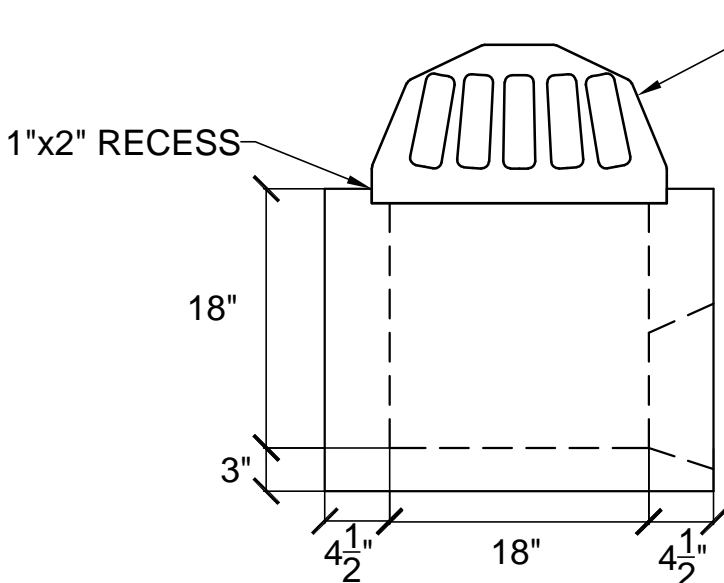


STANDARD SLUICE BOX

ITEM #S2.401
WEIGHT 490LB



8", 10" OR 12" PVC PIPE
GROUT AS REQUIRED



IMP R30 DOME GRATE OR
R31 FLAT GRATE
(NO FRAME REQUIRED)

RISERS AVAILABLE IN 6, 12, 18, 24 INCH
FRAME REQUIRED WITH RISER

PIPE SIZE	HOLE SIZE (DIA)
8"	11" TAPER TO 9"
10"	13" TAPER TO 11"
12"	15" TAPER TO 13"