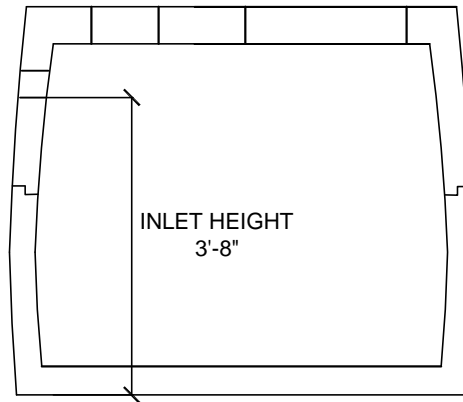
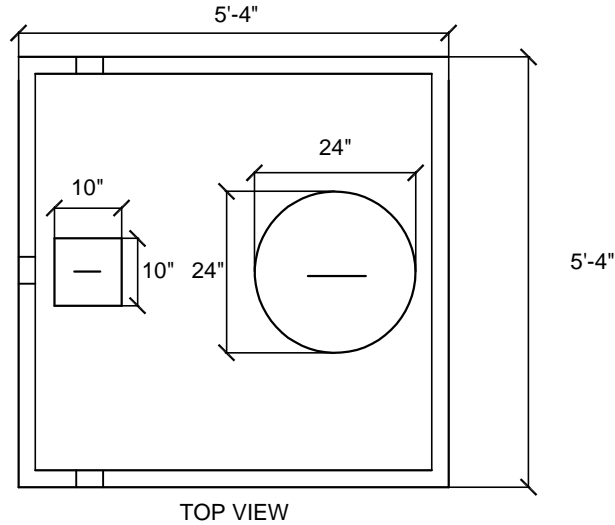


## 450 IGAL PUMP TANK



SPECIFICATIONS:  
 APPROVED BY PEI DEPT. OF ENVIRONMENT  
 5000 psi AT 28 DAYS  
 AIR ENTRAINING 5-7%  
 10mm REBAR REINFORCING  
 FIBRE MESH REINFORCING

DESCRIPTION	ITEM #	OUTSIDE DIMENSIONS			THICKNESS		TOP	INLET	WEIGHT
		H	W	L	WALL	FLOOR			
450 GAL PUMP TANK	W1.101	4'- 6 1/2"	5'-4"	5'-4"	2 1/2"	3"	3 1/2"	3'-8"	4400