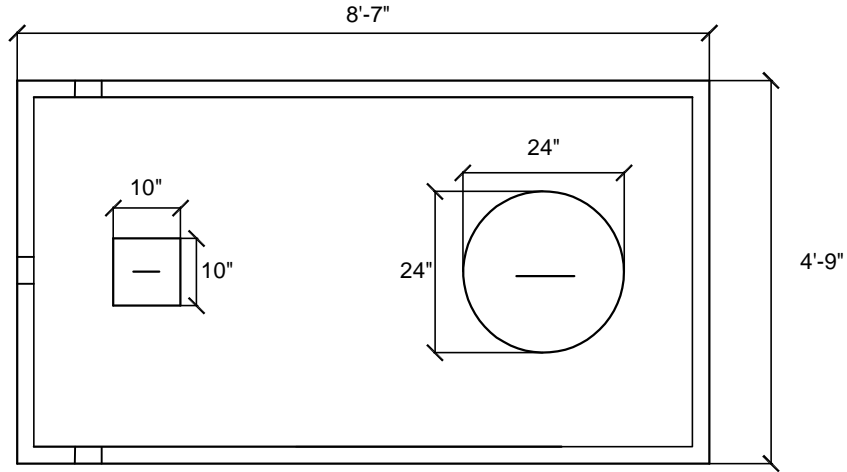


**CAMPBELL'S CONCRETE LTD.**

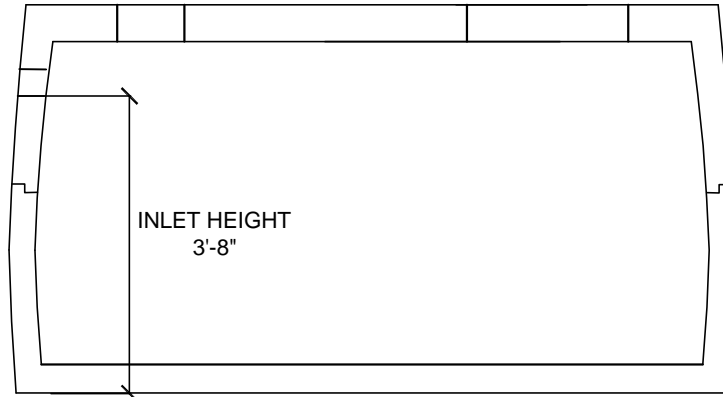
420 MT. EDWARD ROAD, P.O. BOX 373 • CHARLOTTETOWN, P.E.I. C1A 7K7

**W1.2**

# 650 IGAL PUMP TANK



TOP VIEW



CROSS SECTION

SPECIFICATIONS:  
 APPROVED BY PEI DEPT. OF ENVIRONMENT  
 5000 psi AT 28 DAYS  
 AIR ENTRAINING 5-7%  
 10mm REBAR REINFORCING  
 FIBRE MESH REINFORCING

DESCRIPTION	ITEM #	OUTSIDE DIMENSIONS			WALL	THICKNESS		INLET	WEIGHT
		H	W	L		FLOOR	TOP		
650 GAL PUMP TANK	W1.102	4'- 6 1/2"	4- 9"	8'-7"	2 1/2"	3"	3 1/2"	3'-8"	6250