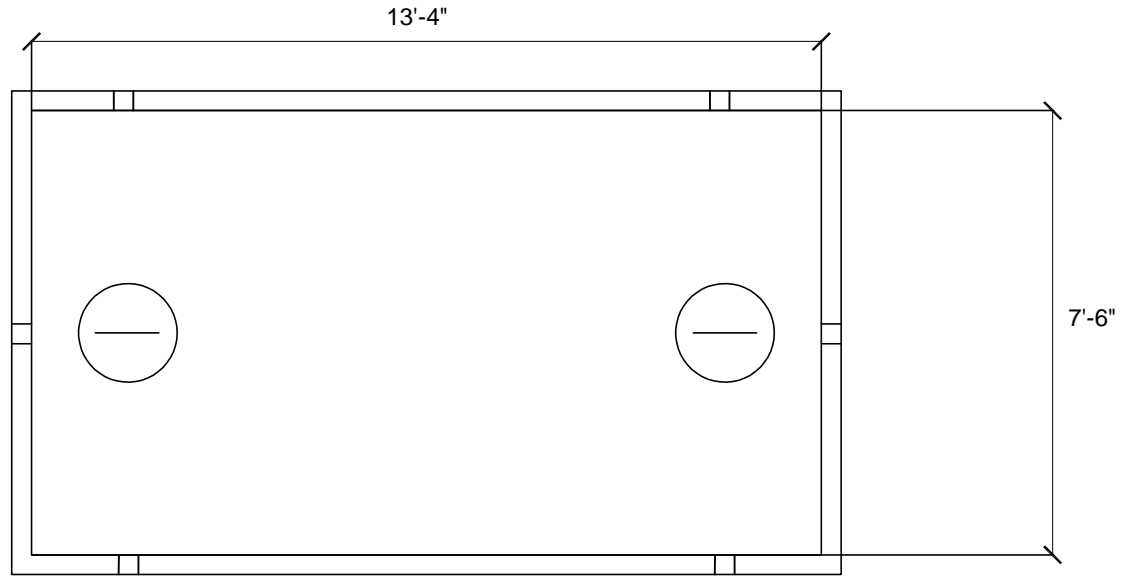


**CAMPBELL'S CONCRETE LTD.**

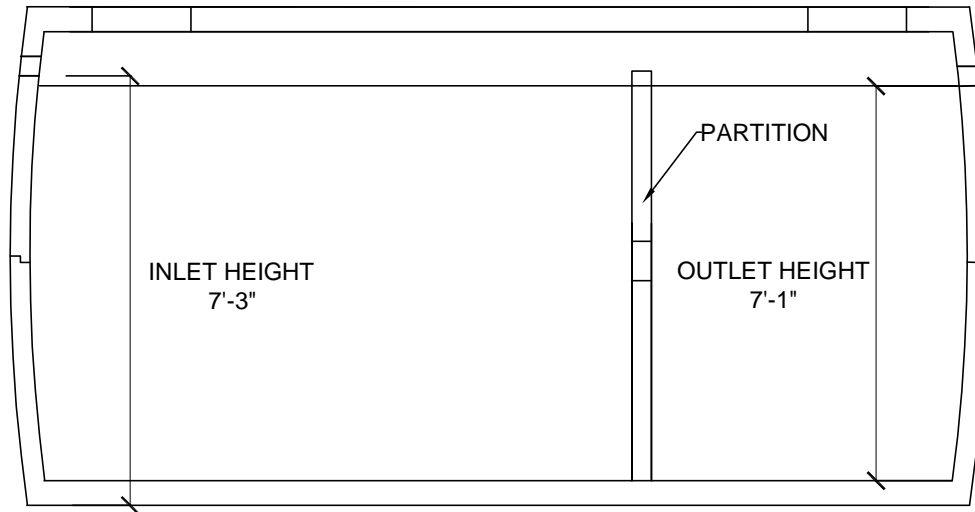
420 MT. EDWARD ROAD, P.O. BOX 373 • CHARLOTTETOWN, P.E.I. C1A 7K7

# W2.7

## 4000 IGAL SEPTIC TANK



TOP VIEW



CROSS SECTION

SPECIFICATIONS:  
 APPROVED BY PEI DEPT. OF ENVIRONMENT  
 5000 psi AT 28 DAYS  
 AIR ENTRAINING 5-7%  
 10mm REBAR REINFORCING  
 FIBRE MESH REINFORCING

NOTES: - PARTITION WALL CONTAINS AN 8" X 8" OPENING CENTERED ON LIQUID LEVEL  
 -PARTITION EXTENDS 1 1/2" ABOVE LIQUID LEVEL

DESCRIPTION	ITEM #	OUTSIDE DIMENSIONS			THICKNESS			INLET	OUTLET	WEIGHT
		H	W	L	WALL	FLOOR	TOP			
4000 GAL SEPTIC TANK	W2.701	8'-5"	7'-6"	13'-4"	4"	5 1/2"	5 1/2"	7'-3"	7'-1"	32200