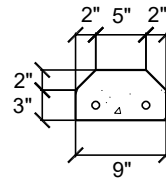
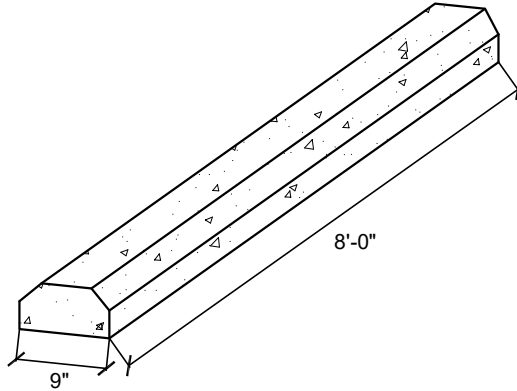
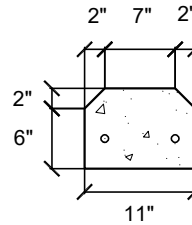
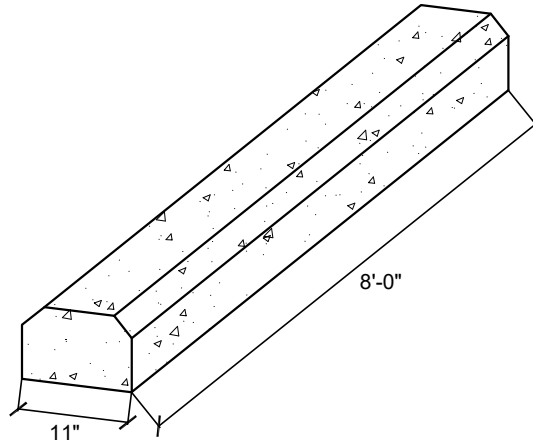




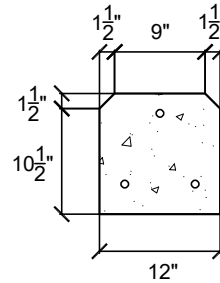
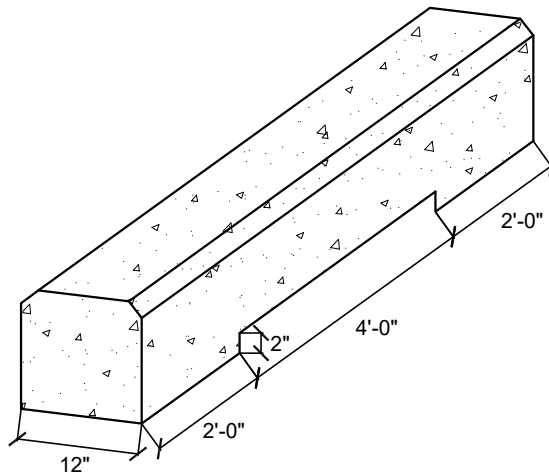
CURBING



ITEM # C2.101
 WEIGHT 340LB



ITEM # C2.102
 WEIGHT 720LB



ITEM # C2.103
 WEIGHT 1185LB

SPECIFICATIONS:
 5000 psi AT 28 DAYS
 AIR ENTRAINING 5-7%
 10mm REBAR REINFORCING

NOTES: - 6FT AND 8FT CURBING CONTAIN ANCHOR HOLES.
 -AVAILABLE ON OTHER SIZES UPON REQUEST.
 -EXCELLENT FOR DRIVEWAYS, BORDERS, DIVIDERS, PARKING LOTS,
 TRAFFIC CONTROL ETC