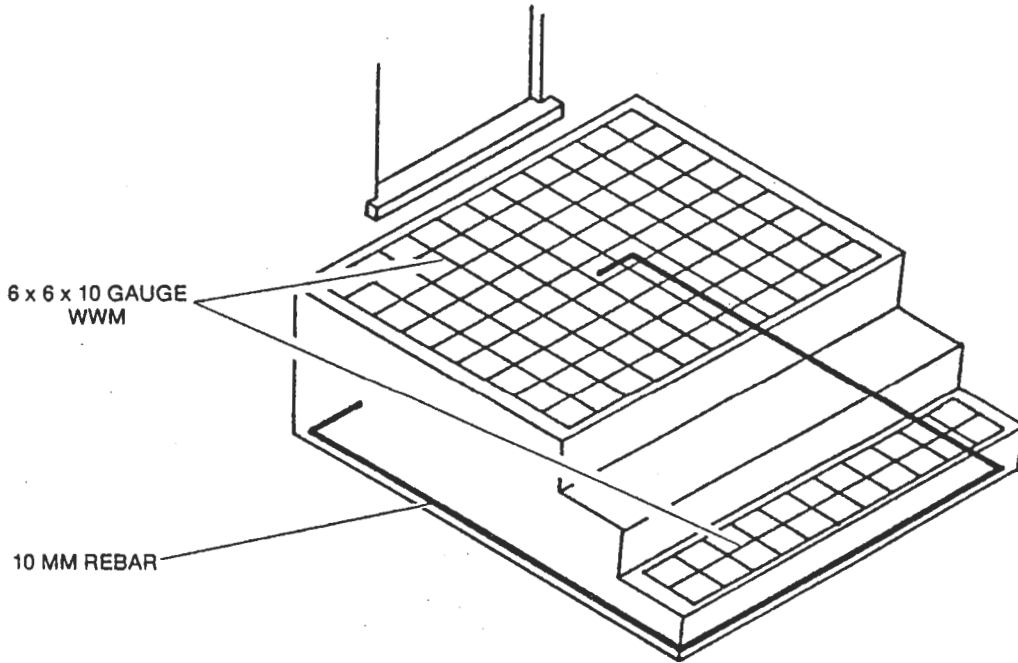


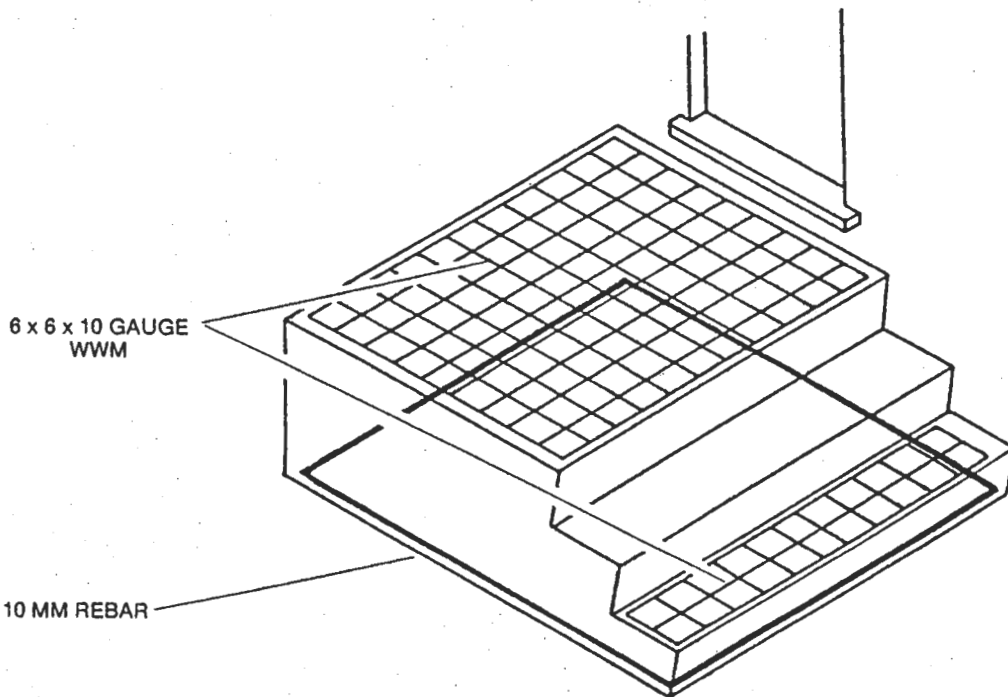


REINFORCING



TYPICAL REINFORCING
FRONT ENTRY STEPS

DETAIL #1



TYPICAL REINFORCING
SIDE ENTRY STEPS

DETAIL #2