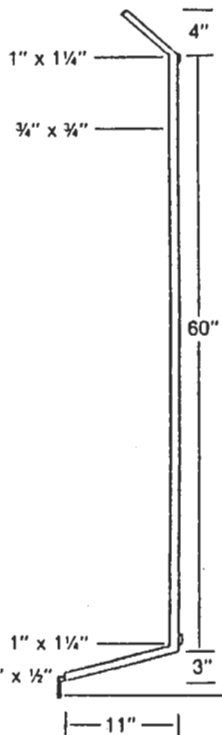
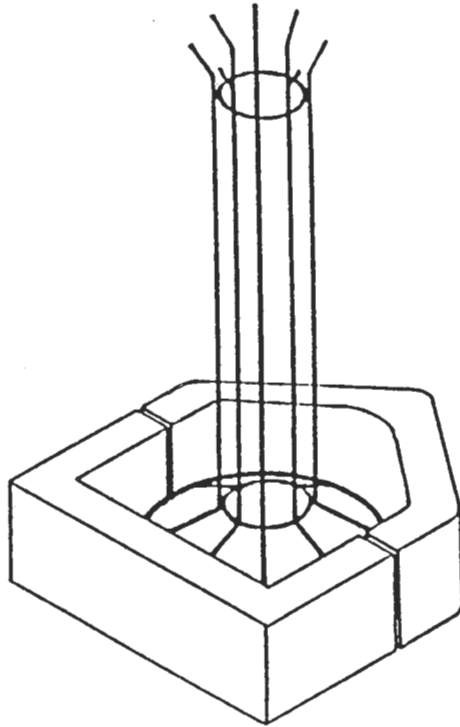




TREE GUARD

ITEM # R17•001



- NOTES:**
- Diameter: Top - 12"
Bottom - 36"
 - Manufactured in two sections which are bolted together after placement
 - Ideally suited for protection of young trees
 - May be removed when trees reach maturity
 - May be bolted to tree well (Item # C3•001) using anchorage device

1 1/2" x 5/16" ANCHORAGE DEVICE (FOUR SPACED EVENLY ON PERIMETER)