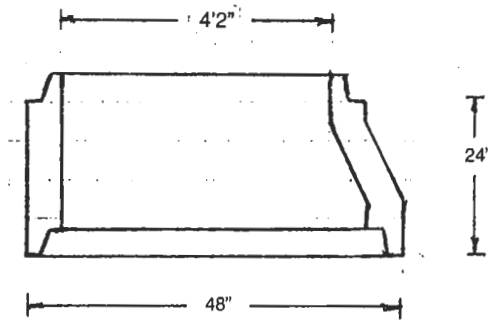




DETAIL OF ECCENTRIC CONE SECTION



CROSS SECTION: