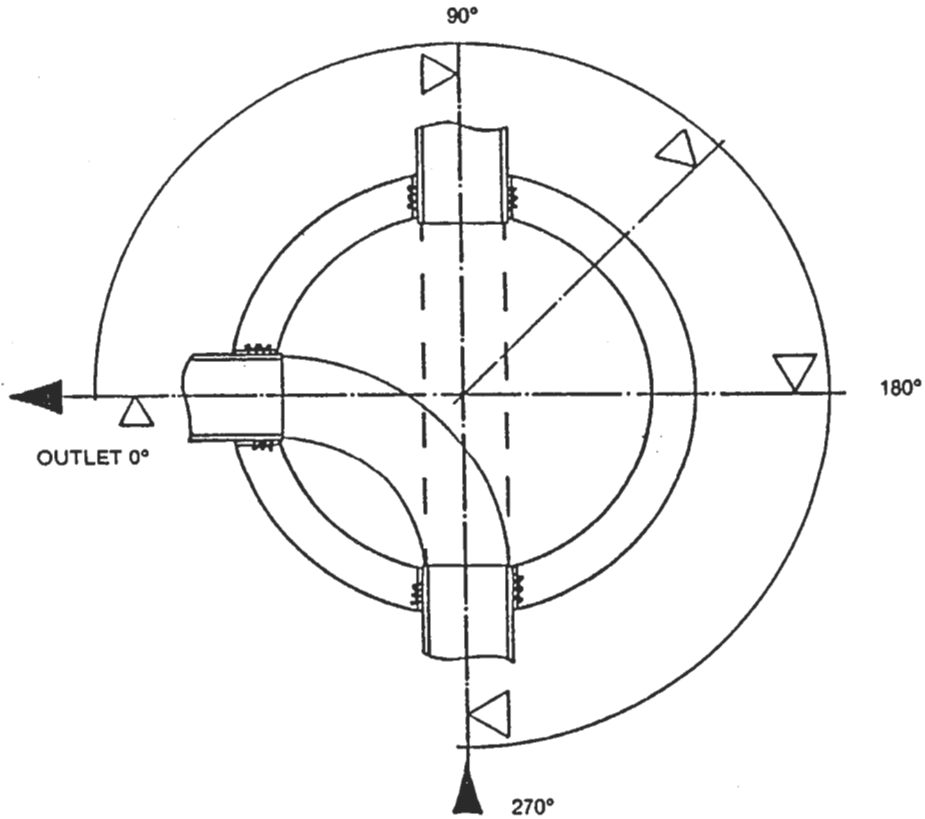




PLAN VIEW OF MANHOLE WITH BENCHING:



**NOTE:** Holes available in 5° increments from 90° to 270°. The outlet hole is denoted 0° and the inlet is measured in a clockwise direction from the outlet (shown above).

CROSS SECTIONS OF MANHOLE WITH BENCHING:

